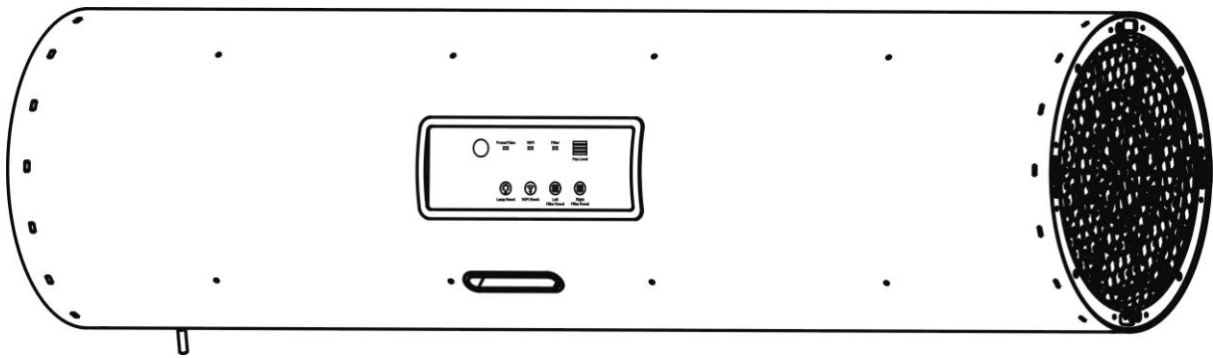


GOLDENSEA UV



UVAIR300-F

USER MANUAL

KEEP THIS MANUAL FOR FUTURE NEEDS



Voltage Input: AC220-240V~, 50/60Hz; **Power:** 450W; **Product Size:** 1245xØ330mm

IMPORTANT SAFEGUARDS

When using electrical equipment, basic safety precautions should always be followed including the following:



READ AND FOLLOW ALL SAFETY INSTRUCTIONS

- a) This equipment is designed for use with germicidal UV radiation sources and UV radiation can pose a risk of personal injury. Overexposure can result in damage to eyes and bare skin. To reduce the risk of overexposure this equipment must be used by professional person.
- b) Maintenance and servicing of this UV generating equipment shall be performed by professional person. Service personnel must wear appropriate Personal Protective Equipment (PPE) if the equipment will be in operation during the maintenance or servicing work. Contact the equipment manufacturer for PPE recommendations and guidance.
- c) When replacing lamps, replace them only with the lamps for which the equipment is marked and intended.
- d) The use of accessory not recommended by the manufacturer may cause an unsafe condition.
- e) Do not use this equipment for other than intended use.

The UV-C wavelength is 253.7nm.

<p>WARNING – RISK OF PERSONAL INJURY</p> <p>THIS EQUIPMENT IS DESIGNED FOR USE WITH GERMICIDAL LAMPS OR UV SOURCES AND MUST BE INSTALLED AND USED IN COMPLIANCE WITH COMPETENT TECHNICAL DIRECTIONS TO PREVENT THE USER'S EYE AND BARE SKIN FROM EXPOSURE TO HARMFUL UV OR OPTICAL RADIATION. PEOPLE, PETS AND PLANT SHOULD LEAVE THE AREAS WHEN USING THE DISINFECTION LIGHT.</p> <p>NOT FOR HOUSEHOLD USE</p> <p>EYE DAMAGE MAY RESULT FROM DIRECTLY VIEWING THE LIGHT PRODUCED BY THE LAMP IN THIS EQUIPMENT. ALWAYS TURN OFF LAMP BEFORE SERVICING.</p> <p>CAUTION: THIS PRODUCT IS FOR RESTRICTED ACCESS USAGE ONLY.</p>	<p>Avertissement – RISQUE DE BLESSURES CORPORELLES</p> <p>CET ÉQUIPEMENT EST CONÇU POUR ÊTRE UTILISÉ AVEC DES LAMPES GERMICIDALES OU DES SOURCES UV ET DOIT ÊTRE INSTALLÉ ET UTILISÉ EN CONFORMITÉ AVEC LES DIRECTIVES TECHNIQUES COMPÉTENTES POUR EMPÊCHER L'ŒIL DE L'UTILISATEUR ET LA PEAU NUE DE L'EXPOSITION À DES RAYONS UV OU OPTIQUE NOCIFS. LES PERSONNES, LES ANIMAUX DE COMPAGNIE ET LES PLANTES DEVRAIENT QUITTER LES ZONES LORS DE L'UTILISATION DE LA LUMIÈRE DE DÉSINFECTION.</p> <p>PAS POUR L'USAGE À LA MAISON</p> <p>LES DOMMAGES OCULAIRES PEUVENT RÉSULTER DE L'OBSERVATION DIRECTE DE LA LUMIÈRE PRODUITE PAR LA LAMPE DANS CET ÉQUIPEMENT. ÉTEIGNEZ TOUJOURS LA LAMPE AVANT L'ENTRETIEN.</p> <p>ATTENTION : CE PRODUIT EST DESTINÉ À UNE UTILISATION À ACCÈS RESTREINT UNIQUEMENT.</p>
--	--

<p>CAUTION: TO REDUCE THE RISK OF FIRE USE ONLY _ TUV 36T5 HO 4P SE UNP/32 _ LAMPS</p>	<p>ATTENTION – RISQUE D'INCENDIE UTILISER UNIQUEMENT LES LAMPES _ TUV 36T5 HO 4P SE UNP/32</p>
---	---

<p>UV-C RISK GROUP 3</p> <p>WARNING: UV-C emitted from this product.</p> <p>Avoid eye and skin exposure to unshielded product.</p> <p>Follow installation instructions and user manual.</p> <p>UV-C wavelength is 253.7nm.</p> 	<p>GROUPE DE RISQUE UV-C 3</p> <p>AVERTISSEMENT UV-C émis par ce produit.</p> <p>Évitez l'exposition des yeux et de la peau au produit non fumé.</p> <p>Suivez les instructions d'installation et le manuel d'utilisation.</p> <p>La longueur d'onde UV-C est de 253,7 nm</p> 
---	--

SAVE THESE INSTRUCTIONS

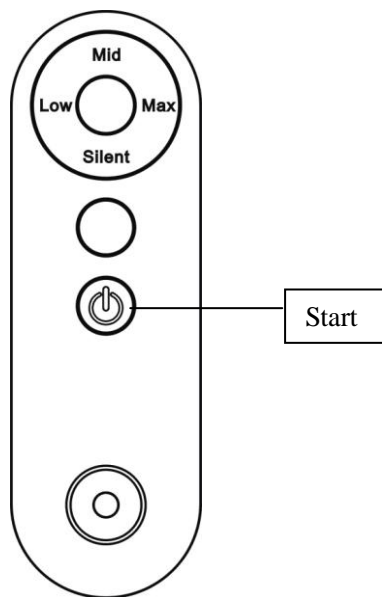
Thank you for purchasing a GOLDENSEA UV product. You have acquired a powerful and versatile device. We are confident that you will be satisfied with our excellent products and service. For your own safety, please read this user manual carefully before installing and operating the device.

Contents

1. Manual Operation (Remote Control)	4
2. Notes	4
3. Product Overview	5
4. Dimensional Drawings	5
5. Installation Instructions	6
6. Replacing The part	7
7. Troubleshooting Tips	9
8. Features	9
9. Cleaning and Maintenance	10
10. Service	10

1. Manual Operation (Remote Control)

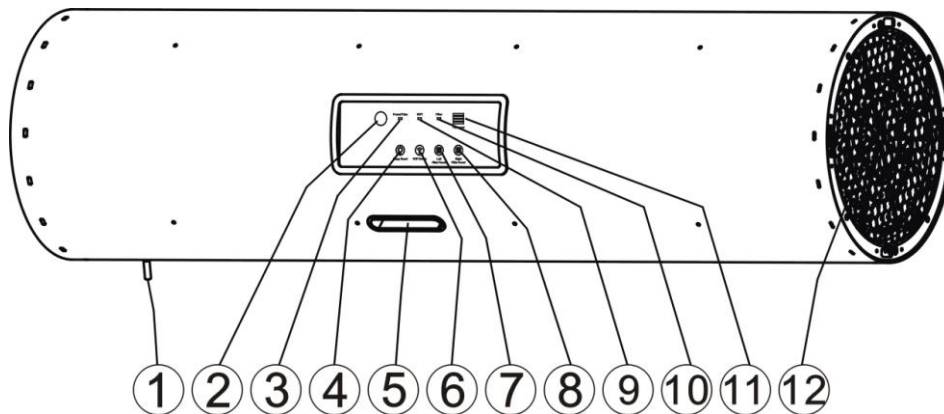
- 1) Plug-in and power on: the power indicator light turns on.
- 2) Press the Start button on the remote control to turn on.
- 3) Choose the fan speed (Silent、 Low、 Mid、 Max) , the indicator light of fan level will turn on.
- 4) Press the Start button on the remote control to turn off.



2. Notes

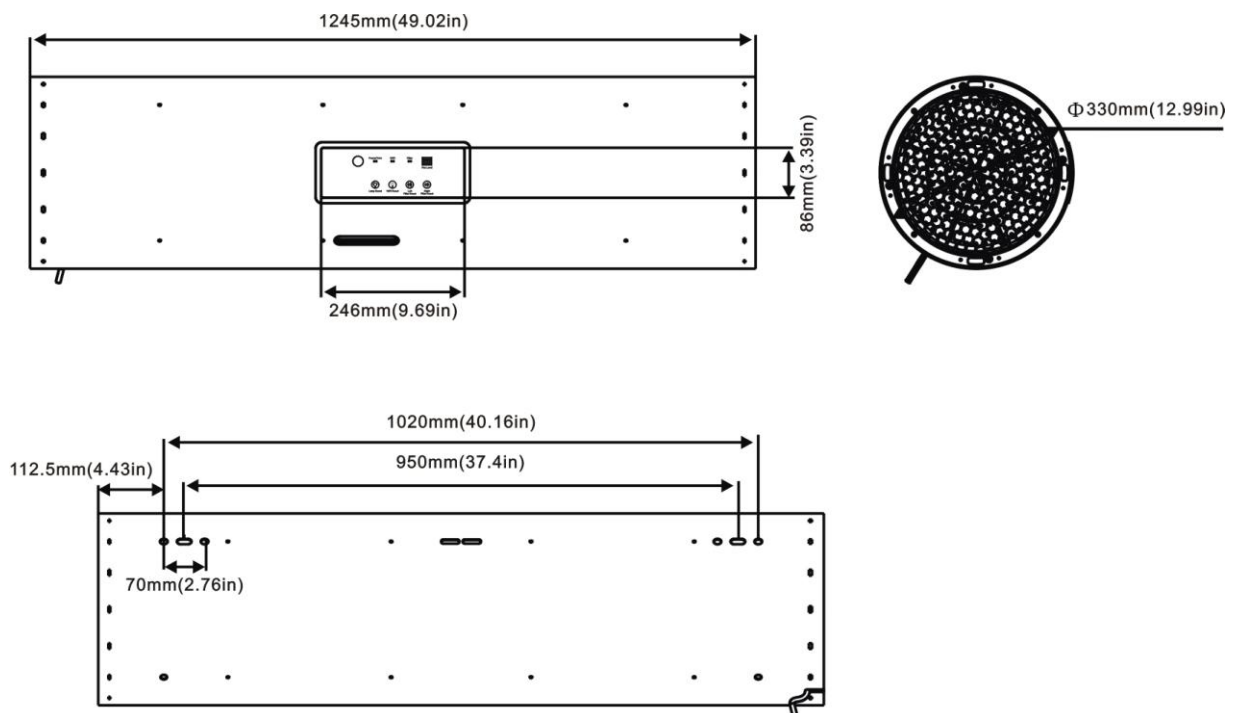
1. The surface of the lamp should be kept clean.
2. The lamp is fragile. Please handle it with care.
3. According to the latest guideline on the diagnosis and treatment released by the National Health Commission, the virus is sensitive to ultraviolet (UV) light and heat, so UV radiation is a quick and effective way of disinfecting rooms against germs and viruses.

3. Product Overview



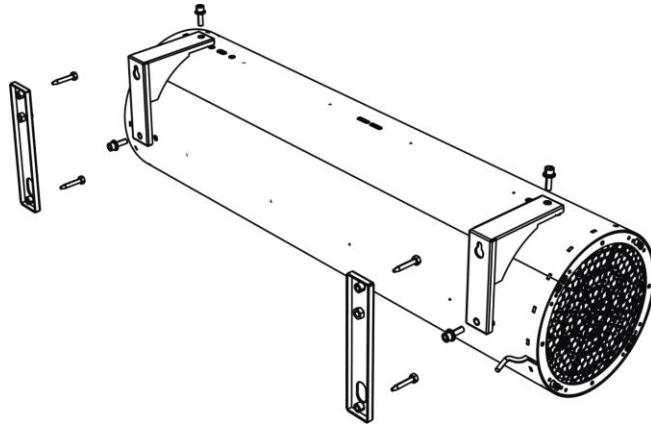
- | | | |
|-------------------------|-----------------------|-------------------------|
| 1) Power Cable | 5) Wireless | 9) WIFI Indicator |
| 2) Infrared Inductor | 6) WIFI Reset | 10) Filter Indicator |
| 3) Power/Tube Indicator | 7) Left Filter Reset | 11) Fan Level Indicator |
| 4) Lamp Reset | 8) Right Filter Reset | 12) Filter |

4. Dimensional Drawings



5. Installation Instructions

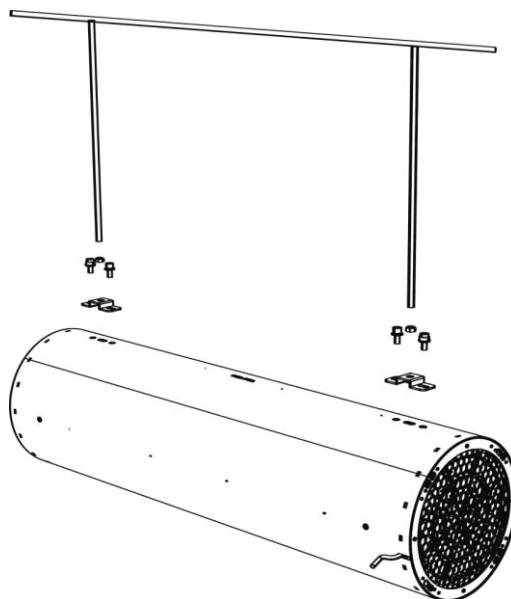
5.1 Wall Mounting



Steps:

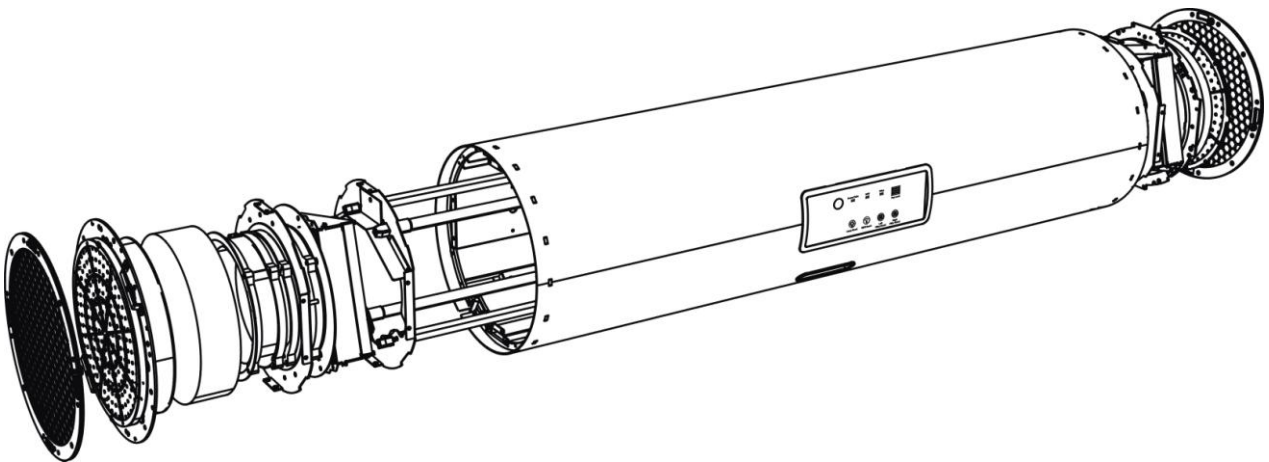
1. Fix the Triangular Brackets to the screw holes on the side of the device with 4 inner hexagonal cylindrical screws (M10x30mm) provided.
2. Mount the 2 Brackets on the wall with a distance of 1020mm with 4 outer hexagonal screws (M8x50mm).
3. Hang the device with the 2 hooks of the Triangular Brackets.

5.2 Installation of Rigging Bracket

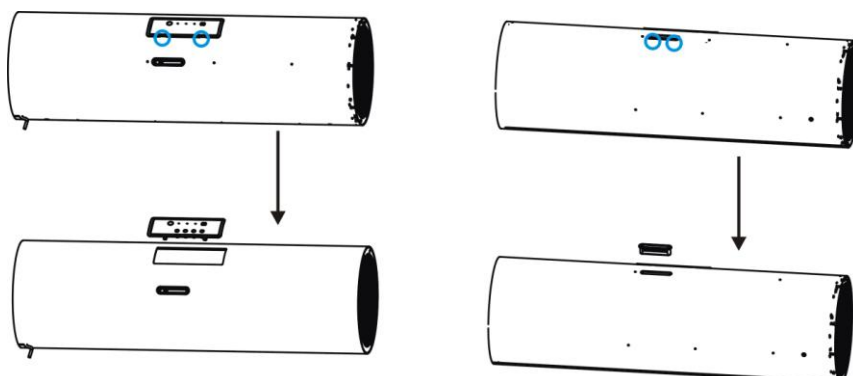


Steps:

1. Fix the rigging brackets to the screw holes on top of the device with 4 inner hexagonal cylindrical screws (M10x22mm) provided.
2. Fix the rigging brackets to the hanging rods on the ceiling as shown.
3. Attach a safety cable (not included) between the handle of device and a fixing point on the ceiling or wall. (ATTENTION! This step is essential to prevent the device from falling off by accident or misuse).

6. Replacing The part**6.1. Removal of panel cover and wireless cover**

Press with a slotted screwdriver from the notch of panel cover and wireless cover, and pry up the panel cover and wireless cover.



6.2. Replacement or removal of iron filter

The fixing method of iron filter on both sides is magnet adsorption. When dismantling, after removing the safety rope buckle, the iron filter components can be directly removed.

6.3. Replacement or removal of activated carbon filter

The fixation method of activated carbon filter is magnet adsorption. After the safety rope buckle is removed, the activated carbon filter components can be directly extracted during disassembly or replacement.

6.4. Replacement or removal of air conditioning filter

The fixing method of air conditioning filter is magnet adsorption. After the safety rope buckle is removed, the air conditioning filter assembly can be directly extracted during disassembly or replacement.

6.5. Replacement or removal of internal components

After removing the iron mesh, activated carbon filter and air conditioning filter, screw down the fixing screws at both ends of the air inlet and outlet holes, fix them with 6 screws at each end, and then extract the whole part from one end of the air inlet (after removing the iron mesh, air conditioning network and activated carbon filter, see the end of the fan).

6.6. Internal UV tube replacement or removal

To maintain the sterilizing efficacy, the UV tube needs to be replaced after 9,000 hours of use, and the power/Tube Indicator will flash.

After the components are pulled out as a whole, press down the black nylon sleeve at the non plug-in end of the smooth tube (not close to the fan side), and pull out the smooth tube in the downward direction.

7. Troubleshooting Tips

7.1 What to do if the device doesn't work?

1. Ensure the device is plugged into a working wall socket.
2. Ensure the plug is wired correctly and terminal well-connected.
3. If you still have issues with the device, please contact your local dealer or our customer service for assistance.

7.2 How often should the UV tube be replaced?

1. The UV tube is the core of the product, it should be replaced after 9000 hours of use to maintain the germicidal efficacy.
2. The UV tube is defected if it flashes, please contact your local dealer or our customer service to order a new UV tube. For replacing the UV tube, please refer to the instructions in this user manual.
3. After use for a period of time, it is normal to find some black spots on both sides of the UV tube.

8. Features

Light Source

- Lamp:
TUV 36T5 HO 4P SE UNP/32 (PHILIPS)
- Extremely long Life: up to 9,000 H

Features

- Audio feedback
- Visual indicator lights
- Fan speed settings
- Infrared remote control

Product Type

Industrial Ultraviolet disinfection light

Weight

Net weight: 25.5 kg

9. Cleaning and Maintenance

1. To ensure the device remains in good condition and does not fail prematurely, regular maintenance, cleaning and checks are required.
2. For cleaning of the device, please use a lint-free cloth.
3. To avoid damage to the device, never use detergent or solvents.
4. Never spray insecticide towards the device, it can discolor or damaged.
5. Should you need any spare parts, please order genuine parts from your local dealer.

10. Service

For all service needs, please contact your local authorized dealer or GOLDENSEA customer service. Our contact details are:

Email: support@goldenseauv.com

Tel: +86 20 3996 6388

Address: No.109 Haiyong Road, Shiji Town, Panyu Zone, Guangzhou, China. 511450

*Errors and omissions for all information given in this user manual are expected.
All information is subject to change without prior notice.*

GOLDENSEAUM